

# Flow Measurement

## SITRANS F X

### SITRANS FX300

#### Overview



SITRANS F X vortex flowmeters provide accurate volumetric and mass flow measurement of steam, gases and liquids as an all-in-one solution with integrated temperature and pressure compensation.

#### Benefits

- All devices have 2-wire technology and HART communication
- Temperature compensation for saturated steam as standard feature
- Integrated temperature and pressure measurement enabling direct compensation of density
- Pressure, temperature and flow can be read at a single point. No additional installation of pressure and temperature sensors
- Direct measurement of energy or energy consumption
- Optimum process reliability thanks to Intelligent Signal Processing (ISP) - stable readings, free of external perturbations
- Fully welded stainless steel construction with high corrosion, pressure and temperature resistance
- Maintenance-free sensor design
- Ready to use due to plug & play feature. No additional cabling work
- Minimal pressure drop
- Compact or remote design
- Pressure and temperature compensation for fluctuating volume flows
- Measurement of consumption in compressed air systems
- No risk of deposits or damage (sensor in the turbulent area)
- All units parameterized prior to delivery






#### Application

The SITRANS FX300 is a flowmeter in a single or dual transmitter version, suitable for measuring industrial steam, gases, as well as conductive and non-conductive liquids, e.g. steam (saturated steam, superheated steam), industrial gases (compressed air, nitrogen, liquefied gases, flue gases), and conductive and non-conductive liquids (demineralized water, boiler feed water, solvents, heat transfer oil).

The main applications of SITRANS FX300 can be found in the following sectors:

- Chemical
- Petrochemical
- Oil & Gas
- Power plants
  - Air
  - Heating
  - Cooling
  - Chilling
- Food & beverage
  - Pharmaceutical
  - Sugar refineries
  - Dairies
  - Breweries
  - Production of soft drinks
- Refining
- Water & waste water

#### System Overview

Version	Flange	Sandwich	Dual transmitter
Compact			
Remote			

#### Design

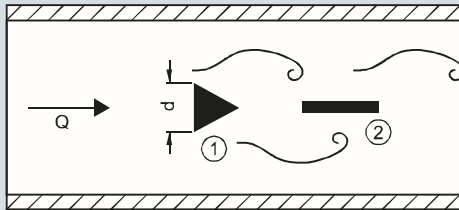
The unit is available in a compact or a remote version with up to 15 meter distance from flowmeter to transmitter. When ordering a remote version the transducer cables are pre-mounted and ready for installation.

#### Function

##### Operating Principle

SITRANS F X vortex flowmeters measure flow rate by detecting the frequency at which alternating vortices are shed from a bluff body inserted into the flow stream. This principle of measurement is known as Von Karman's vortex street principle: alternating vortices form behind an object in a stream. The frequency of the alternating vortices is proportional to the flow rate.

The passage of a vortex causes a slight stress on a pick-up placed downstream of the bluff body. The stress is picked up and counted as pressure surges by a dual Piezo crystal placed inside the wing.



① = Bluff Body, ② = Pick-up

The flowmeter calculates the flow velocity using the following equation:

$$Q = A \cdot V = A \cdot d / St \cdot f = 101.93 \cdot f / K \text{ [m}^3\text{/h]}$$

Where:

- Q = flow rate [m<sup>3</sup>/h]
- f = vortex shedding frequency [Hz]
- K = calibration constant [pulses/m<sup>3</sup>]
- d = width of the bluff body [m]
- St = Strouhal Number
- A = cross-section area [m<sup>2</sup>]
- V = flow velocity [m/s]

### Requirements

In order to generate the vortex streets, the medium must have a minimum velocity:

- For steam and gases, the flow velocity must be 2 to 80 m/s (6.6 to 262 ft/s)
- For liquids the flow velocity must be 0.4 to 10 m/s (1.3 to 32.8 ft/s)

### Design

SITRANS FX300 volumetric and mass flowmeter is available in the following configurations:

#### SITRANS FX300 Single transmitter

The single transmitter is available as a flange or sandwich solution in the following versions:

- Vortex standard flowmeter  
Measurement with integrated temperature sensor as standard feature
- Vortex flowmeter with pressure sensor  
Measurement with integrated temperature and pressure sensors for compensation of gases, wet gases, gas mixtures or steam (for energy measurement).
- Vortex flowmeter with pressure sensor and isolation valve  
Allowing the pressure sensor to be shut off for the purpose of pressure or leak testing of the pipeline or for being exchanged without interrupting the process. Using the built-in two-way valve, the pressure sensor can also be calibrated and tested at a later time.
- Vortex flowmeter - remote version  
Sensors and transmitters mounted separately. The device is equipped with temperature sensor (standard), pressure sensor (optional) and isolation valve (optional) providing all the features of the compact mounted version.

#### SITRANS FX300 Dual transmitter

This is a genuine redundant system with two independent sensors and two transmitters providing twofold functional reliability and availability of the measurement. This variant is optimally suited for measurements in multi-product pipelines.

The dual converter is available as:

- Vortex standard flowmeter  
Measurement with temperature sensor for saturated steam compensation as standard feature

### Technical specifications

<b>Input</b>	
Measuring range limits	See „Dimensional Drawings“
Media pressure	1 ... 100 bar (14.5 ... 1450 psi) (Higher pressures on request)
<b>Output</b>	
Current output	
• Measuring range	4 ... 20 mA
• Over range	20.8 mA ± 1 % (105 % ± 1 %)
• Load	
- min.	100 Ω
- max.	$R_{\max} = (U_{\text{Power Supply}} - 14 \text{ V}) / 22 \text{ mA}$
• Error signal	NAMUR NE 43
• Maximum output	22 mA (112.5 %)
• Multidrop mode	4 mA
Digital output	
• Communication	HART
• Physical layer	FSK
• Device category	Transmitter
<b>Pulse output</b>	
(Passive pulse output, needs separate power supply. Pulse output has to be defined in the Option menu Y47 totalizer or energy unit has to be entered. E.g.: 1 pulse/kg or 1 pulse/10 m <sup>3</sup> )	
• Pulse frequency	Max. 0.5 Hz
• Power supply	Min. 24 V DC as NAMUR or
• Non-Ex version	open < 1 mA, max. 36 V, closed 100 mA, $U < 2 \text{ V}$
• Ex version	open < 1 mA, max. 30 V, closed 100 mA, $U < 2 \text{ V}$
<b>Accuracy</b>	
Standard version	
• For liquids	
- $Re \geq 20\,000$	± 0.75 %
• For steam and gases	
- $Re \geq 20\,000$	± 1 %
• For steam, gases and liquids	
- $10\,000 < Re < 20\,000$	± 2 %
Pressure and temperature-compensated version	
• For liquids	
- $10\,000 < Re < 20\,000$	± 2 %
- $Re \geq 20\,000$	± 0.75 %
• For gases and steam	
- $10\,000 < Re < 20\,000$	± 2.5 %
- $Re \geq 20\,000$	± 1.5 %
Repeatability	± 0.1 %
<b>Installation conditions</b>	
(At different conditions, e.g. installation after control valve, bends or reductions, please refer to the operating instructions.)	
• Inlet run	≥ 20 x DN
• Outlet run	≥ 5 x DN

# Flow Measurement

## SITRANS F X

### SITRANS FX300

#### Software

Uncompensated for gases, steam and liquids, but temperature-compensated for saturated steam	Order option 1
Density-compensated by temperature and pressure for superheated steam, no energy calculation	Order option 4
Gross heat	
When the thermal energy of steam is to be measured	Order option 5
In options Y51 to Y56 add information regarding:	<ul style="list-style-type: none"> <li>• Y51 Variable current output</li> <li>• Y52 Power unit Select one of the following units from power units table in Y52: kJ/h, MJ/h, GJ/h, Btu/h, kcal/h, kW, MW or special (custom)</li> <li>• Y53 Fullscale power value</li> <li>• Y54 Variable pulse output</li> <li>• Y55 Totalizer on/off</li> <li>• Y56 Configures for totalizer select one of the following units from energy units table in Y56: kJ, MJ, GJ, Btu th, kcal, kWh, MWh or special (custom).</li> </ul>
Density compensated by temperature and pressure for gases, wet gases	Order option 7
Wet gases	Select Y49 and enter relative humidity in %
FAD - Free Air Delivery	
When the delivered air of a compressor is to be measured	Order option 8
In Y81 to Y87 add information regarding:	<ul style="list-style-type: none"> <li>• Y81 Inlet suction temperature</li> <li>• Y82 Atmosphere pressure</li> <li>• Y83 Pressure drop at inlet filter</li> <li>• Y84 Inlet relative humidity</li> <li>• Y85 Actual revolutions per minute (of compressor)</li> <li>• Y86 Rated rpm of compressor</li> <li>• Y87 Outlet relative humidity. This information is available from compressor supplier.</li> </ul>
Mixed gases	When the fluid is a gas mixture, contact your local Siemens representative and provide gas names and amount in %.
<b>Rated operation conditions</b>	
Ambient temperature	
• Non-Ex version	-40 ... +85 °C (-40 ... +185 °F)
• Ex version	-40 ... +65 °C (-40 ... +149 °F)
Storage temperature	-50 ... +85 °C (-58 ... +185 °F)
Media temperature	-40 ... +240 °C (-40 ... +464 °F)
Density	Taken into consideration when rating
Viscosity	<10 cP
Reynolds number	10 000 ... 2 300 000
Media pressure limit	Max. 100 bar (1450 psi) Higher pressure on request (contact your local Siemens representative)

#### Design

<b>Material</b>	
• Sensor: house/pick-up	AISI 316L (1.4404)/ AISI 316L (1.4435)
	Hastelloy C22/2.4602 available on request (contact your local Siemens representative)
• Housing: transmitter	Aluminum for increased requirements
• Sensor gaskets (Pick-up/Pressure sensor)	AISI 316L (1.4435) / FPM or FFKM
	FPM (Viton) for steam and non-aggressive gases. FFKM (Kalrez) for chlorine and other aggressive gases. (FPM/FFKM gaskets are only supplied if FX300 is configured with pressure sensor)
<b>Process connections</b>	
	Flange norm EN 1092-1 form B1/B2 or ASME B16.5 RF. Other flanges on request (contact your local Siemens representative)
• Flange version	DN 15 ... 300 (½ ... 12")
• Sandwich version	DN 15 ... 100 (½ ... 4")
<b>Degree of protection</b>	
	IP66/IP67
<b>Dimensions and weights</b>	
	See "Dimensional Drawings"
<b>Display and operating interface</b>	
Local display	2 lines, 10 characters per line
Languages	German, English, French
<b>Power supply</b>	
• Standard version	14 ... 36 V DC
• Ex version	14 ... 30 V DC
<b>Certificates and approvals</b>	
<b>Explosion protection</b>	
• ATEX	II 2G EEx d ia [ia] IIC T6
• FM US/C	Class I, II, III, Div. 1 and 2
<b>Calibration</b>	
	All flowmeters will be delivered with a 3 point calibration certificate
<b>Material Certificate</b>	
	Certificate of compliance, pressure test, material certificate, material in acc. of NACE and PMI of pressure bearing metal parts.
<b>Cleaning</b>	
	Choose Cleaning Class1 when fluid is oxygen or contains chloride.
<b>Certificates</b>	
	X-ray test on pressurized weldings and dye penetration test on pressure bearing weldings Dye penetration test

Selection and Ordering data		Article No.	Ord. code	Selection and Ordering data		Article No.	Ord. code
<b>SITRANS FX300 Flanged Single transmitter and T<sub>max</sub> = 240 °C (464 °F)</b>		<b>7ME2600-</b>		<b>SITRANS FX300 Flanged Single transmitter and T<sub>max</sub> = 240 °C (464 °F)</b>		<b>7ME2600-</b>	
<b>Connection size</b>	<b>Sensor size</b>			<b>Pressure sensor and isolation valve</b>			
DN 15 (1/2")	DN 15	<b>1 A</b>		Without pressure sensor		<b>A</b>	
DN 25 (1")	DN 25	<b>2 B</b>		With pressure sensor, range:			
DN 40 (1 1/2")	DN 40	<b>2 K</b>		4 bar (58 psi)		<b>B</b>	
DN 50 (2")	DN 50	<b>2 R</b>		6 bar (87 psi)		<b>D</b>	
DN 80 (3")	DN 80	<b>3 L</b>		10 bar (145 psi)		<b>E</b>	
DN 100 (4")	DN 100	<b>3 S</b>		16 bar (232 psi)		<b>G</b>	
DN 150 (6")	DN 150	<b>4 M</b>		25 bar (363 psi)		<b>H</b>	
DN 200 (8")	DN 200	<b>4 T</b>		40 bar (580 psi)		<b>K</b>	
DN 250 (10")	DN 250	<b>4 W</b>		60 bar (870 psi)		<b>L</b>	
DN 300 (12")	DN 300	<b>5 E</b>		100 bar (1450 psi)		<b>N</b>	
<b>Flange norm and nominal pressure</b>				With isolation valve and pressure sensor, range:			
<b>Form B1/B2</b>	<b>EN 1092-1</b>			4 bar (58 psi)		<b>P</b>	
PN 10	DN 200 ... 300	<b>A</b>		6 bar (87 psi)		<b>Q</b>	
PN 16	DN 50 ... 300	<b>B</b>		10 bar (145 psi)		<b>R</b>	
PN 25	DN 200 ... 300	<b>C</b>		16 bar (232 psi)		<b>S</b>	
PN 40	DN 15 ... 300	<b>D</b>		25 bar (363 psi)		<b>U</b>	
PN 63	DN 50 ... 150	<b>E</b>		40 bar (580 psi)		<b>V</b>	
PN 100	DN 15 ... 150	<b>F</b>		60 bar (870 psi)		<b>W</b>	
<b>RF</b>	<b>ASME B16.5</b>			100 bar (1450 psi)		<b>Y</b>	
150 lb	1/2 ... 12"	<b>J</b>		<b>Software</b>			
300 lb	1/2 ... 12"	<b>K</b>		Uncompensated for gases, wet gases, steam and liquids, respectively, temperature compensation for saturated steam		<b>1</b>	
600 lb	1/2 ... 6"	<b>L</b>		Density compensation for superheated steam		<b>4</b>	
<b>Sensor material/Gasket</b>				Density compensation for superheated steam and setting of Gross heat Opt. Y51 ... Y56 for Energy measuring		<b>5</b>	
St. steel AISI 316L (1.4404)/AISI 316L (1.4435)/FPM		<b>1</b>		Density compensation for gases and wet gases and setting of Relative humidity at opt. Y49		<b>7</b>	
St. steel AISI 316L (1.4404)/AISI 316L (1.4435)/FFKM		<b>5</b>		Density compensation for gases, wet gases and setting of FAD - free air delivery Opt. Y49 and Y81 ... Y87 for Compressor settings		<b>8</b>	
<b>Transmitter design</b>							
Compact version - no cable		<b>1</b>					
Remote version:							
5 m (16.4 ft)		<b>2</b>					
10 m (32.8 ft)		<b>3</b>					
15 m (49.2 ft)		<b>4</b>					
<b>Approval and cable gland</b>							
Non-Ex, M20 x 1.5		<b>1</b>					
Non-Ex, 1/2" NPT		<b>2</b>					
FM approval Class 1 Div. 2, M20 x 1.5		<b>3</b>					
ATEX, M20 x 1.5		<b>4</b>					
ATEX, 1/2" NPT		<b>5</b>					
FM approval Class 1 Div. 1, M20 x 1.5		<b>6</b>					
FM approval Class 1 Div. 1, 1/2" NPT		<b>7</b>					
FM approval Class 1 Div. 2, 1/2" NPT		<b>8</b>					
<b>Further approvals and cable glands</b>							
IEC Ex with M20 x 1.5		<b>9</b>	<b>N 0 A</b>				
IEC Ex with 1/2" NPT		<b>9</b>	<b>N 0 B</b>				
<b>Transmitter, display and communication</b>							
With display, HART			<b>A</b>				

# Flow Measurement

## SITRANS F X

### SITRANS FX300

#### Selection and Ordering data

##### Additional information

Please add "-Z" to Article No. and specify as minimum Order code Y40, Y41, Y42 and Y45 and plain text.

##### Input process data

Medium: Specify steam, gas, liquid or customised **Y40**

Temperature: Specify max. operating temperature and units **Y41**

Pressure: Specify max. operating pressure and units **Y42**

Density (only by customer-specified medium): Specify medium density and units **Y43**

Viscosity (only by customer-specified medium): Specify medium viscosity and units **Y44**

Flow rate: Specify min./max. flow rate and units **Y45**

Setting of pulse output: Specify totalizer or energy unit (1 pulse/unit) **Y47**

Relative humidity (amount in % of process medium) **Y49**

##### Settings of gross heat

Variable current output **Y51**

Power unit (specify: kJ/h, MJ/h, GJ/h, Btu/h, kcal/h, kW, MW or special (custom)) **Y52**

Fullscale power value **Y53**

Variable pulse output **Y54**

Totalizer on/off **Y55**

Configure totalizer (specify: kJ, MJ, GJ, Btu th, kcal, kWh, MWh or special (custom)) **Y56**

##### Settings of FAD

Inlet suction temperature<sup>1)</sup> **Y81**

Atmosphere pressure<sup>1)</sup> **Y82**

Pressure drop filter<sup>2)</sup> **Y83**

Inlet relative humidity<sup>1)</sup> **Y84**

Actual revolutions per minute (of compressor)<sup>2)</sup> **Y85**

Rated Rpm of compressor<sup>2)</sup> **Y86**

Outlet relative humidity<sup>2)</sup> **Y87**

<sup>1)</sup> Information to be provided by customer.

<sup>2)</sup> Information is available on the data sheet from the compressor supplier.

#### Operating instructions

Description	Article No.
English	<b>A5E2100423</b>

This device is shipped with a Quick Start guide and a CD containing further SITRANS F literature.

All literature is also available for free at:  
<http://www.siemens.com/flowdocumentation>

#### Selection and Ordering data

##### Further designs

Please add "-Z" to Article No. and specify Order code.

Converter housing material	Order code
Aluminum for increased requirement, color: petrol green	<b>A10</b>

##### Material certificate

Certificate of compliance EN 10204-2.1	<b>C10</b>
Pressure test + 3.1 accordance EN 10204	<b>C11</b>
Material certificate pressure parts + certificate 3.1	<b>C12</b>
Material in accordance with NACE MR 0175-01	<b>C13</b>
PMI of pressure bearing metal parts + certificate 3.1	<b>C14</b>
Material certificate pressure parts + PMI/certificate 3.1	<b>C15</b>

##### Calibration certificate FX300

As standard the flow device has a 3-point calibration certificate.

Calibration certificate (5 point)	<b>D11</b>
-----------------------------------	------------

##### Hardness test

Hardness test on pressure bearing parts + 3.1 Equotip LD procedure according to NACE MR 0175-01	<b>H30</b>
---	------------

##### Cleaning for oil and fat

Class 1 increased requirement (customer-specified) and 3.1 (EN 10204)	<b>K46</b>
Class 2 and 3.1 (EN 10204)	<b>K48</b>

##### Certificates

X-ray test on pressure bearing weldings	<b>M56</b>
Dye penetration test on pressure bearing weldings	<b>M58</b>

##### Tag name plate

Stainless steel tag with 3 mm characters, max. 2 x 8 characters (40 x 20 mm, add plain text)	<b>Y17</b>
Stainless steel tag with 2.5 mm characters, max. 8 x 40 characters (120 x 46 mm, add plain text)	<b>Y18</b>

Selection and Ordering data		Article No.	Ord. code
<b>SITRANS FX300 Sandwich Single transmitter and T<sub>max</sub> = 240 °C (464 °F)</b>		<b>7ME2700</b>	
<b>Connection size</b>			
DN 15 (½")	DN 15	1 A	
DN 25 (1")	DN 25	2 B	
DN 40 (1½")	DN 40	2 K	
DN 50 (2")	DN 50	2 R	
DN 80 (3")	DN 80	3 L	
DN 100 (4")	DN 100	3 S	
<b>Nominal pressure</b>			
<b>EN</b>			
PN 16	DN 50 ... 100	B	
PN 40	DN 15 ... 100	D	
PN 63	DN 50 ... 100	E	
PN 100	DN 15 ... 100	F	
<b>ASME</b>			
150 lb	½ ... 4"	J	
300 lb	½ ... 4"	K	
600 lb	½ ... 4"	L	
<b>Sensor material/Gasket</b>			
St. steel AISI 316L (1.4404)/AISI 316L (1.4435)/FPM		1	
St. steel AISI 316L (1.4404)/AISI 316L (1.4435)/FFKM		5	
<b>Transmitter design</b>			
Compact version - no cable		1	
Remote version:			
5 m (16.4 ft)		2	
10 m (32.8 ft)		3	
15 m (49.2 ft)		4	
<b>Approval and cable gland</b>			
Non-Ex, M20 x 1.5		1	
Non-Ex, ½" NPT		2	
FM approval Class 1 Div. 2, M20 x 1.5		3	
ATEX, M20 x 1.5		4	
ATEX, ½" NPT		5	
FM approval Class 1 Div. 1, M20 x 1.5		6	
FM approval Class 1 Div. 1, 1/2" NPT		7	
FM approval Class 1 Div. 2, 1/2" NPT		8	
<b>Further approvals and cable glands</b>			
IEC Ex with M20 x 1.5		9	N 0 A
IEC Ex with ½" NPT		9	N 0 B
<b>Transmitter, display and communication</b>			
With display, HART			A

Selection and Ordering data		Article No.	Ord. code
<b>SITRANS FX300 Sandwich Single transmitter and T<sub>max</sub> = 240 °C (464 °F)</b>		<b>7ME2700</b>	
<b>Pressure sensor and isolation valve</b>			
Without pressure sensor			A
With pressure sensor, range:			
4 bar (58 psi)			B
6 bar (87 psi)			D
10 bar (145 psi)			E
16 bar (232 psi)			G
25 bar (363 psi)			H
40 bar (580 psi)			K
60 bar (870 psi)			L
100 bar (1450 psi)			N
With isolation valve and pressure sensor, range:			
4 bar (58 psi)			P
6 bar (87 psi)			Q
10 bar (145 psi)			R
16 bar (232 psi)			S
25 bar (363 psi)			U
40 bar (580 psi)			V
60 bar (870 psi)			W
100 bar (1450 psi)			Y
<b>Software</b>			
Uncompensated for gases, wet gases, steam and liquids respectively temperature compensation for saturated steam			1
Density compensation for superheated steam			4
Density compensation for superheated steam and setting of Gross heat Opt. Y51 ... Y56 for Energy measuring			5
Density compensation for gases and wet gases and setting of Relative humidity at opt. Y49			7
Density compensation for gases, wet gases and setting of FAD - free air delivery Opt. Y49 and Y81 ... Y87 for Compressor settings			8



# Flow Measurement

## SITRANS F X

### SITRANS FX300

#### Selection and Ordering data

Selection and Ordering data	Order code
<b>Additional information</b>	
Please add "-Z" to Article No. and specify as minimum Order code Y40, Y41, Y42 and Y45 and plain text.	
<b>Input process data</b>	
Medium: Specify steam, gas, liquid and customised	<b>Y40</b>
Temperature: Specify max. operating temperature and units	<b>Y41</b>
Pressure: Specify max. operating pressure and units	<b>Y42</b>
Density (only by customer-specified medium): Specify medium density and units	<b>Y43</b>
Viscosity (only by customer-specified medium): Specify medium viscosity and units	<b>Y44</b>
Flow rate: Specify min./max. flow rate and units	<b>Y45</b>
Setting of pulse output: Specify totalizer or energy unit (1 pulse/unit)	<b>Y47</b>
Relative humidity (amount in % of process medium)	<b>Y49</b>
<b>Settings of gross heat</b>	
Variable current output	<b>Y51</b>
Power unit (specify: kJ/h, MJ/h, GJ/h, Btu/h, kcal/h, kW, MW or special (custom))	<b>Y52</b>
Fullscale power value	<b>Y53</b>
Variable pulse output	<b>Y54</b>
Totalizer on/off	<b>Y55</b>
Configure totalizer (specify: kJ, MJ, GJ, Btu th, kcal, kWh, MWh or special (custom))	<b>Y56</b>
<b>Settings of FAD</b>	
Inlet suction temperature <sup>1)</sup>	<b>Y81</b>
Atmosphere pressure <sup>1)</sup>	<b>Y82</b>
Pressure drop filter <sup>2)</sup>	<b>Y83</b>
Inlet relative humidity <sup>1)</sup>	<b>Y84</b>
Actual revolutions per minute (of compressor) <sup>2)</sup>	<b>Y85</b>
Rated Rpm of compressor <sup>2)</sup>	<b>Y86</b>
Outlet relative humidity <sup>2)</sup>	<b>Y87</b>

<sup>1)</sup> Information to be provided by customer.

<sup>2)</sup> Information is available on the data sheet from the compressor supplier.

#### Operating instructions

Description	Article No.
English	<b>A5E2100423</b>

This device is shipped with a Quick Start guide and a CD containing further SITRANS F literature.

All literature is also available for free at:  
<http://www.siemens.com/flowdocumentation>

#### Selection and Ordering data

Selection and Ordering data	Order code
<b>Further designs</b>	
Please add "-Z" to Article No. and specify Order code.	
<b>Converter housing material</b>	
Aluminum for increased requirement, color: petrol green	<b>A10</b>
<b>Material certificate</b>	
Certificate of compliance EN 10204-2.1	<b>C10</b>
Pressure test + 3.1 accordance EN 10204	<b>C11</b>
Material certificate pressure parts + certificate 3.1	<b>C12</b>
Material in accordance with NACE MR 0175-01	<b>C13</b>
PMI of pressure bearing metal parts + certificate 3.1	<b>C14</b>
Material certificate pressure parts + PMI/certificate 3.1	<b>C15</b>
<b>Calibration certificate FX300</b>	
As standard the flow device has a 3-point calibration certificate.	
Calibration certificate (5-point)	<b>D11</b>
<b>Hardness test</b>	
Hardness test on pressure bearing parts + 3.1 Equotip LD procedure according to NACE MR 0175-01	<b>H30</b>
<b>Cleaning for oil and fat</b>	
Class 1 increased requirement (customer-specified) and 3.1 (EN 10204)	<b>K46</b>
Class 2 and 3.1 (EN 10204)	<b>K48</b>
<b>Certificates</b>	
X-ray test on pressure bearing weldings	<b>M56</b>
Dye penetration test on pressure bearing weldings	<b>M58</b>
<b>Tag name plate</b>	
Stainless steel tag with 3 mm characters, max. 2 x 8 characters (40 x 20 mm, add plain text)	<b>Y17</b>
Stainless steel tag with 2.5 mm characters, max. 8 x 40 characters (120 x 46 mm, add plain text)	<b>Y18</b>



Selection and Ordering data		Article No.	Ord. code	Selection and Ordering data		Order code
<b>SITRANS FX300 Flanged Dual transmitter and T<sub>max</sub> = 240 °C (464 °F)</b>		<b>7ME2800-</b>		<b>Additional information</b>		
				Please add "-Z" to Article No. and specify as minimum Order code Y40, Y41, Y42 and Y45 and plain text.		
<b>Connection size</b>				<b>Input process data</b>		
DN 40 (1½")	DN 40	2 K		Medium: Specify steam, gas, liquid and customised	<b>Y40</b>	
DN 50 (2")	DN 50	2 R		Temperature: Specify max. operating temperature and units	<b>Y41</b>	
DN 80 (3")	DN 80	3 L		Pressure: Specify max. operating pressure and units	<b>Y42</b>	
DN 100 (4")	DN 100	3 S		Density (only by customer-specified medium): Specify medium density and units	<b>Y43</b>	
DN 150 (6")	DN 150	4 M		Viscosity (only by customer-specified medium): Specify medium viscosity and units	<b>Y44</b>	
DN 200 (8")	DN 200	4 T		Flow rate: Specify min./max. flow rate and units	<b>Y45</b>	
DN 250 (10")	DN 250	4 W		Setting of pulse output: Specify totalizer or energy unit (1 pulse/unit)	<b>Y47</b>	
DN 300 (12")	DN 300	5 E		Relative humidity (amount in % of process medium)	<b>Y49</b>	
<b>Flange norm and nominal pressure</b>				<b>Operating instructions for SITRANS FX300</b>		
<b>Form B1/B2</b>				<b>Description</b>		
PN 10	DN 200 ... 300	A		English	<b>A5E2100423</b>	
PN 16	DN 50 ... 300	B		This device is shipped with a Quick Start guide and a CD containing further SITRANS F literature.		
PN 25	DN 200 ... 300	C		All literature is also available for free at: <a href="http://www.siemens.com/flowdocumentation">http://www.siemens.com/flowdocumentation</a>		
PN 40	DN 40 ... 300	D		<b>Selection and Ordering data</b>		<b>Order code</b>
PN 63	DN 50 ... 150	E		<b>Further designs</b>		
PN 100	DN 40 ... 150	F		Please add "-Z" to Article No. and specify Order code.		
<b>RF</b>				<b>Converter housing material</b>		
150 lb	1½ ... 12"	J		Aluminum for increased requirement, color: petrol green	<b>A10</b>	
300 lb	1½ ... 12"	K		<b>Material certificate</b>		
600 lb	1½ ... 6"	L		Certificate of compliance EN 10204-2.1	<b>C10</b>	
<b>Sensor material/Gasket</b>				Pressure test + 3.1 accordance EN 10204	<b>C11</b>	
Stainless steel AISI 316L (1.4404)/ AISI 316L (1.4435)/FPM		1		Material certificate pressure parts + certificate 3.1	<b>C12</b>	
Stainless steel AISI 316L (1.4404)/ AISI 316L (1.4435)/FFKM		5		Material in accordance with NACE MR 0175-01	<b>C13</b>	
<b>Transmitter design</b>				PMI of pressure bearing metal parts + certificate 3.1	<b>C14</b>	
Compact version - no cable		1		Material certificate pressure parts + PMI/certificate 3.1	<b>C15</b>	
Remote version:				<b>Calibration certificate FX300</b>		
5 m (16.4 ft)		2		As standard the flow device has a 3-point calibration certificate.		
10 m (32.8 ft)		3		Calibration certificate (5-point)	<b>D11</b>	
15 m (49.2 ft)		4		<b>Hardness test</b>		
<b>Approval and cable gland</b>				Hardness test on pressure bearing parts + 3.1 Equotip LD procedure according to NACE MR 0175-01	<b>H30</b>	
Non-Ex, M20 x 1.5		1		<b>Cleaning for oil and fat</b>		
Non-Ex, ½" NPT		2		Class 1 increased requirement (customer-specified) and 3.1 (EN 10204)	<b>K46</b>	
FM approval Class 1 Div. 2, M20 x 1.5		3		Class 2 and 3.1 (EN 10204)	<b>K48</b>	
ATEX, M20 x 1.5		4		<b>Certificates</b>		
ATEX, ½" NPT		5		X-ray test on pressure bearing weldings	<b>M56</b>	
FM approval Class 1 Div. 1, M20 x 1.5		6		Dye penetration test on pressure bearing weldings	<b>M58</b>	
FM approval Class 1 Div. 1, 1/2" NPT		7		<b>Tag name plate</b>		
FM approval Class 1 Div. 2, 1/2" NPT		8		Stainless steel tag with 3 mm characters, max. 2 x 8 characters (40 x 20 mm, add plain text)	<b>Y17</b>	
<b>Further approvals and cable glands</b>				Stainless steel tag with 2.5 mm characters, max. 8 x 40 characters (120 x 46 mm, add plain text)	<b>Y18</b>	
IEC Ex with M20 x 1.5		9	<b>N 0 A</b>			
IEC Ex with ½" NPT		9	<b>N 0 B</b>			
<b>Transmitter, display and communication</b>						
With display, HART						
<b>Pressure sensor and isolation valve</b>						
Without pressure sensor						
<b>Software</b>						
Uncompensated for gases, wet gases, steam and liquids respectively temperature compensation for saturated steam		1				



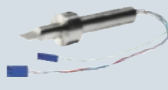



# Flow Measurement

## SITRANS F X

### SITRANS FX300

#### SITRANS FX300 spare parts

Description	Article No.	
Seal disc 21.8-12-0.1	<b>A5E02181439</b>	
Socket only for DN 15/25 ; 1/2"	<b>On request</b>	
Socket only for DN 15/25 ; 1"	<b>On request</b>	
Pickup AISI 316L/1.4404	<b>On request</b>	
O-ring pickup	<b>A5E02181464</b>	
O-ring for pressure screw 17.13 x 2.62-FPM-70	<b>A5E02181488</b>	
Pressure sensor 4/6/10/16/25/40/60/100 bar	<b>On request</b>	
Cover gasket O-Ring 91.67 x 3.5	<b>A5E02181492</b>	
Converter housing gasket 59,35,5-2-N	<b>A5E02181495</b>	
O-ring DIN3771-20 x 1-FPM for sensor	<b>A5E02181515</b>	
O-ring 10x2-NBR for lead- through	<b>A5E02181525</b>	
DUBOX plug, 5-pole-RM2	<b>A5E02181527</b>	
Electronic		
• Basic D-HART	<b>A5E02181531</b>	
• Steam D-HART	<b>A5E02181541</b>	
• Gas D-HART	<b>A5E02181544</b>	
Display	<b>A5E02181558</b>	
Cable feedthrough 10-pole (non-Ex). O-ring for cable feedthrough 21.89 x 2.62 10-pole plug	<b>A5E02181562</b>	
Sensor replacement (incl. Seal disc, pickup, O-rings for pickup, and pressure screw		
• DN 15 (incl. 1/2" socket)	<b>A5E02181087</b>	
• DN 25 (incl. 1" socket)	<b>A5E02181116</b>	
• DN 40 ... 100	<b>A5E02181152</b>	
• DN 150 ... 300	<b>A5E02275105</b>	
Pressure sensor replacement (Incl. pressure sensor, DUBOX plug, 2 O-rings and calibration certificate)		
• 4 bar (58 psi)	<b>A5E02181157</b>	
• 6 bar (87 psi)	<b>A5E02181175</b>	
• 10 bar (145 psi)	<b>A5E02181180</b>	
• 16 bar (232 psi)	<b>A5E02181221</b>	
• 25 bar (363 psi)	<b>A5E02181307</b>	
• 40 bar (580 psi)	<b>A5E02181316</b>	
• 60 bar (870 psi)	<b>A5E02181322</b>	
• 100 bar (1450 psi)	<b>A5E02181437</b>	

#### Description

Service Toolbox for programming the software (basic, steam and gas) as well as for changing settings and parameters.

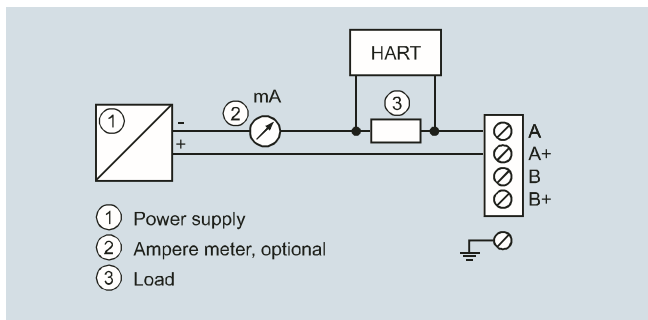
Note: Dedicated service training is required. Please contact Customer Support.

#### Article No.

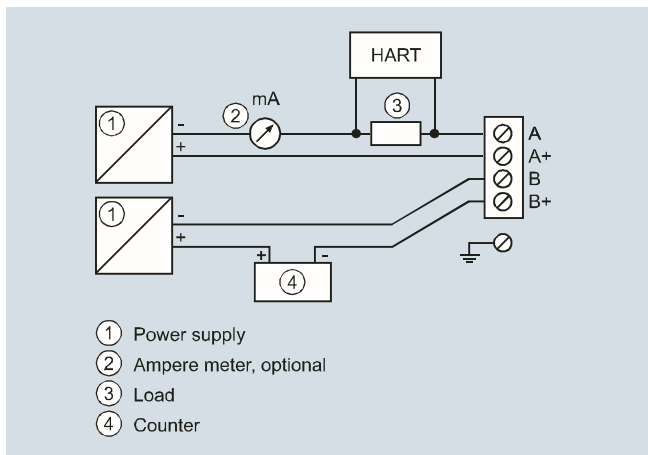
**A5E02375819**



#### Schematics



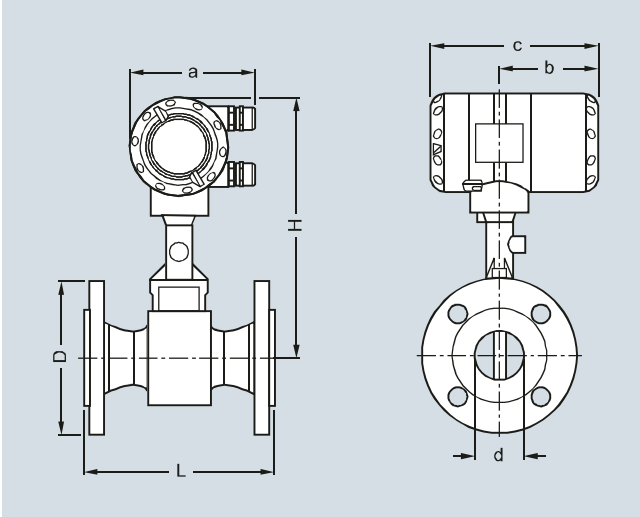
Load for HART communication



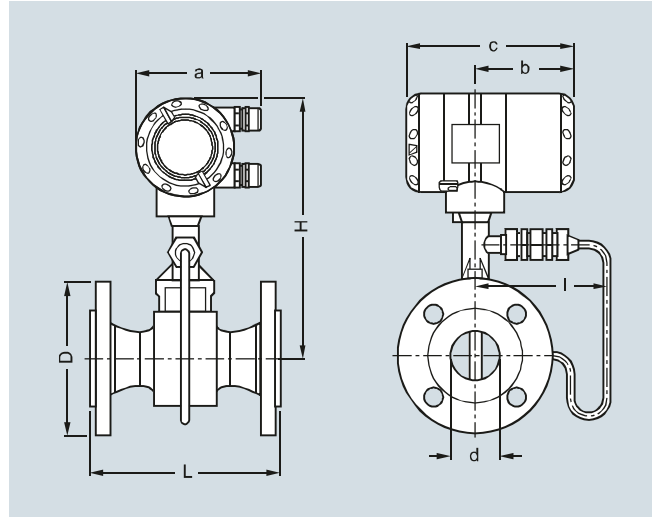
Connection pulse output

### Dimensional drawings

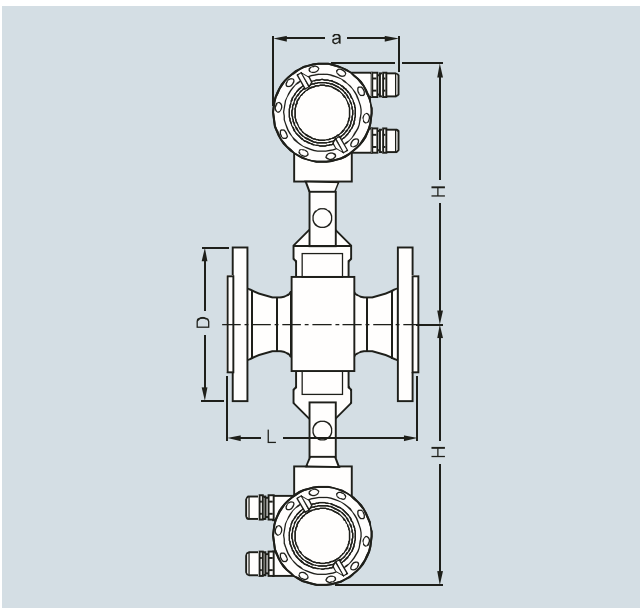
#### Compact version



Flange version



Flange version with pressure sensor



Flange version, dual converter

3

# Flow Measurement

## SITRANS F X

### SITRANS FX300

#### Flange version EN1092-1

Size DN	Pres- sure rating PN	Dimensions [mm (inch)]									Weight [kg (lb)] <sup>1)</sup>	
		a	b	c	d	D	L	H	I	Flowmeter (without pres- sure sensor)	Flowmeter (with pres- sure sensor)	
15	40	133 (5.24)	105 (4.13)	179 (7.05)	17.3 (0.68)	95 (3.74)	200 (7.87)	265 (10.43)	144 (5.67)	5.5 (12.13)	6.1 (13.45)	
15	100	133 (5.24)	105 (4.13)	179 (7.05)	17.3 (0.68)	105 (4.13)	200 (7.87)	265 (10.43)	144 (5.67)	6.5 (14.33)	7.1 (15.65)	
25	40	133 (5.24)	105 (4.13)	179 (7.05)	28.5 (1.12)	115 (4.53)	200 (7.87)	265 (10.43)	144 (5.67)	7.3 (16.09)	7.9 (17.42)	
25	100	133 (5.24)	105 (4.13)	179 (7.05)	28.5 (1.12)	140 (5.51)	200 (7.87)	265 (10.43)	144 (5.67)	9.3 (20.50)	9.9 (21.83)	
40	40	133 (5.24)	105 (4.13)	179 (7.05)	43.1 (1.70)	150 (5.91)	200 (7.87)	270 (10.63)	144 (5.67)	10.2 (22.49)	10.8 (23.81)	
40	100	133 (5.24)	105 (4.13)	179 (7.05)	42.5 (1.67)	170 (6.69)	200 (7.87)	270 (10.63)	144 (5.67)	14.2 (31.31)	14.8 (32.63)	
50	16	133 (5.24)	105 (4.13)	179 (7.05)	54.5 (2.15)	165 (6.50)	200 (7.87)	275 (10.83)	144 (5.67)	12.1 (26.68)	12.7 (28.00)	
50	40	133 (5.24)	105 (4.13)	179 (7.05)	54.5 (2.15)	165 (6.50)	200 (7.87)	275 (10.83)	144 (5.67)	12.3 (27.12)	12.9 (28.44)	
50	63	133 (5.24)	105 (4.13)	179 (7.05)	54.5 (2.15)	180 (7.09)	200 (7.87)	275 (10.83)	144 (5.67)	16.3 (35.94)	16.9 (37.26)	
50	100	133 (5.24)	105 (4.13)	179 (7.05)	53.9 (2.12)	195 (7.68)	200 (7.87)	275 (10.83)	144 (5.67)	17.8 (39.24)	18.4 (40.57)	
80	16	133 (5.24)	105 (4.13)	179 (7.05)	82.5 (3.25)	200 (7.87)	200 (7.87)	290 (11.42)	154 (6.06)	16.8 (37.04)	17.4 (38.36)	
80	40	133 (5.24)	105 (4.13)	179 (7.05)	82.5 (3.25)	200 (7.87)	200 (7.87)	290 (11.42)	154 (6.06)	18.8 (41.45)	19.4 (42.77)	
80	63	133 (5.24)	105 (4.13)	179 (7.05)	81.7 (3.22)	215 (8.46)	200 (7.87)	290 (11.42)	154 (6.06)	22.8 (50.27)	23.4 (51.59)	
80	100	133 (5.24)	105 (4.13)	179 (7.05)	80.9 (3.19)	230 (9.06)	200 (7.87)	290 (11.42)	154 (6.06)	26.8 (59.08)	27.4 (60.41)	
100	16	133 (5.24)	105 (4.13)	179 (7.05)	107.1 (4.22)	220 (8.66)	250 (9.84)	310 (12.20)	164 (6.46)	21.4 (47.18)	22 (48.50)	
100	40	133 (5.24)	105 (4.13)	179 (7.05)	107.1 (4.22)	235 (9.25)	250 (9.84)	310 (12.20)	164 (6.46)	24.4 (53.79)	25 (55.12)	
100	63	133 (5.24)	105 (4.13)	179 (7.05)	106.3 (4.19)	250 (9.84)	250 (9.84)	310 (12.20)	164 (6.46)	29.4 (64.82)	30 (66.14)	
100	100	133 (5.24)	105 (4.13)	179 (7.05)	104.3 (4.11)	265 (10.43)	250 (9.84)	310 (12.20)	164 (6.46)	35.4 (78.04)	36 (79.37)	
150	16	133 (5.24)	105 (4.13)	179 (7.05)	159.3 (6.27)	285 (11.22)	300 (11.81)	325 (12.80)	174 (6.85)	35.2 (77.60)	35.8 (78.93)	
150	40	133 (5.24)	105 (4.13)	179 (7.05)	159.3 (6.27)	300 (11.81)	300 (11.81)	325 (12.80)	174 (6.85)	41.2 (90.83)	41.8 (92.15)	
150	63	133 (5.24)	105 (4.13)	179 (7.05)	157.1 (6.19)	345 (13.58)	300 (11.81)	325 (12.80)	174 (6.85)	59.2 (130.51)	59.8 (131.84)	
150	100	133 (5.24)	105 (4.13)	179 (7.05)	154.1 (6.07)	355 (13.98)	300 (11.81)	325 (12.80)	174 (6.85)	67.2 (148.15)	67.8 (149.47)	
200	10	133 (5.24)	105 (4.13)	179 (7.05)	206.5 (8.13)	340 (13.39)	300 (11.81)	350 (13.78)	194 (7.64)	37.8 (83.33)	38.4 (84.66)	
200	16	133 (5.24)	105 (4.13)	179 (7.05)	206.5 (8.13)	340 (13.39)	300 (11.81)	350 (13.78)	194 (7.64)	37.8 (83.33)	38.4 (84.66)	
200	25	133 (5.24)	105 (4.13)	179 (7.05)	206.5 (8.13)	360 (14.17)	300 (11.81)	350 (13.78)	194 (7.64)	46.8 (103.18)	47.4 (104.50)	
200	40	133 (5.24)	105 (4.13)	179 (7.05)	206.5 (8.13)	375 (14.76)	300 (11.81)	350 (13.78)	194 (7.64)	54.8 (120.81)	55.4 (122.14)	
250	10	133 (5.24)	105 (4.13)	179 (7.05)	260.4 (10.25)	395 (15.55)	380 (14.96)	370 (14.57)	224 (8.82)	57.4 (126.55)	58.0 (127.87)	
250	16	133 (5.24)	105 (4.13)	179 (7.05)	260.4 (10.25)	405 (15.94)	380 (14.96)	370 (14.57)	224 (8.82)	58.4 (128.75)	59.0 (130.07)	
250	25	133 (5.24)	105 (4.13)	179 (7.05)	258.8 (10.19)	425 (16.73)	380 (14.96)	370 (14.57)	224 (8.82)	74.4 (164.02)	75.0 (165.35)	
250	40	133 (5.24)	105 (4.13)	179 (7.05)	258.8 (10.19)	450 (17.72)	380 (14.96)	370 (14.57)	224 (8.82)	92.4 (203.71)	93.0 (205.03)	
300	10	133 (5.24)	105 (4.13)	179 (7.05)	309.7 (12.19)	445 (17.52)	450 (17.72)	395 (15.55)	244 (9.61)	75.7 (166.89)	76.3 (168.21)	
300	16	133 (5.24)	105 (4.13)	179 (7.05)	309.7 (12.19)	460 (18.11)	450 (17.72)	395 (15.55)	244 (9.61)	82.2 (181.22)	82.8 (182.54)	
300	25	133 (5.24)	105 (4.13)	179 (7.05)	307.9 (12.12)	485 (19.09)	450 (17.72)	395 (15.55)	244 (9.61)	98.7 (217.60)	99.3 (218.92)	
300	40	133 (5.24)	105 (4.13)	179 (7.05)	307.9 (12.12)	515 (20.28)	450 (17.72)	395 (15.55)	244 (9.61)	127.5 (281.09)	128.1 (282.41)	

<sup>1)</sup> For dual converter: specified weight + 2.80 kg (6.17 lb).

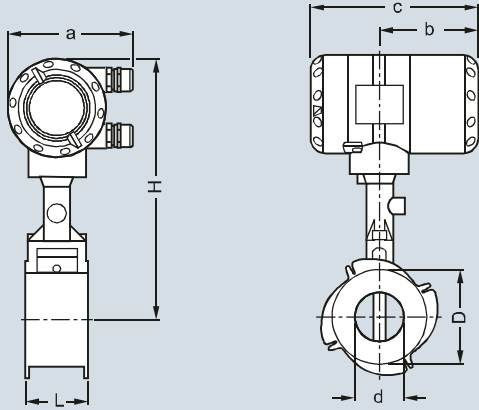
## Flange version ASME B16.5

Size DN	Pres- sure rating Class	Dimensions [mm (inch)]								Weight [kg (lb)] <sup>1)</sup>	
		a	b	c	d	D	L	H	I	Flowmeter (without pressure sen- sor)	Flowmeter (with pres- sure sensor)
½	150	133 (5.24)	105 (4.13)	179 (7.05)	15.8 (0.62)	90 (3.54)	200 (7.87)	265 (10.43)	144 (5.67)	4.5 (9.92)	5.1 (11.24)
½	300	133 (5.24)	105 (4.13)	179 (7.05)	15.8 (0.62)	95 (3.74)	200 (7.87)	265 (10.43)	144 (5.67)	4.9 (10.80)	5.5 (12.13)
½	600	133 (5.24)	105 (4.13)	179 (7.05)	13.9 (0.55)	95 (3.74)	200 (7.87)	265 (10.43)	144 (5.67)	5.1 (11.24)	5.7 (12.57)
1	150	133 (5.24)	105 (4.13)	179 (7.05)	26.6 (1.05)	110 (4.33)	200 (7.87)	265 (10.43)	144 (5.67)	6.2 (13.67)	6.8 (14.99)
1	300	133 (5.24)	105 (4.13)	179 (7.05)	26.6 (1.05)	125 (4.92)	200 (7.87)	265 (10.43)	144 (5.67)	7.2 (15.87)	7.8 (17.20)
1	600	133 (5.24)	105 (4.13)	179 (7.05)	24.3 (0.96)	125 (4.92)	200 (7.87)	265 (10.43)	144 (5.67)	7.5 (16.53)	8.1 (17.86)
1½	150	133 (5.24)	105 (4.13)	179 (7.05)	40.9 (1.61)	125 (4.92)	200 (7.87)	270 (10.63)	144 (5.67)	8.3 (18.30)	8.9 (19.62)
1½	300	133 (5.24)	105 (4.13)	179 (7.05)	40.9 (1.61)	155 (6.10)	200 (7.87)	270 (10.63)	144 (5.67)	10.4 (22.93)	11 (24.25)
1½	600	133 (5.24)	105 (4.13)	179 (7.05)	38.1 (1.50)	155 (6.10)	200 (7.87)	270 (10.63)	144 (5.67)	11.4 (25.13)	12 (26.46)
2	150	133 (5.24)	105 (4.13)	179 (7.05)	52.6 (2.07)	150 (5.91)	200 (7.87)	275 (10.83)	144 (5.67)	11 (24.25)	11.6 (25.57)
2	300	133 (5.24)	105 (4.13)	179 (7.05)	52.6 (2.07)	165 (6.50)	200 (7.87)	275 (10.83)	144 (5.67)	12.4 (27.34)	13 (28.66)
2	600	133 (5.24)	105 (4.13)	179 (7.05)	49.3 (1.94)	165 (6.50)	200 (7.87)	275 (10.83)	144 (5.67)	13.9 (30.64)	14.5 (31.97)
3	150	133 (5.24)	105 (4.13)	179 (7.05)	78 (3.07)	190 (7.48)	200 (7.87)	290 (11.42)	154 (6.06)	19.8 (43.65)	20.4 (44.97)
3	300	133 (5.24)	105 (4.13)	179 (7.05)	78 (3.07)	210 (8.27)	200 (7.87)	290 (11.42)	154 (6.06)	22.8 (50.27)	23.4 (51.59)
3	600	133 (5.24)	105 (4.13)	179 (7.05)	73.7 (2.90)	210 (8.27)	200 (7.87)	290 (11.42)	154 (6.06)	23.8 (52.47)	24.4 (53.79)
4	150	133 (5.24)	105 (4.13)	179 (7.05)	102.4 (4.03)	230 (9.06)	250 (9.84)	310 (12.20)	164 (6.46)	23.4 (51.59)	24 (52.91)
4	300	133 (5.24)	105 (4.13)	179 (7.05)	102.4 (4.03)	255 (10.04)	250 (9.84)	310 (12.20)	164 (6.46)	31.4 (69.23)	32 (70.55)
4	600	133 (5.24)	105 (4.13)	179 (7.05)	97.2 (3.83)	275 (10.83)	250 (9.84)	310 (12.20)	164 (6.46)	40.4 (89.07)	41 (90.39)
6	150	133 (5.24)	105 (4.13)	179 (7.05)	154.2 (6.07)	280 (11.02)	300 (11.81)	325 (12.80)	174 (6.85)	36.2 (79.81)	36.8 (81.13)
6	300	133 (5.24)	105 (4.13)	179 (7.05)	154.2 (6.07)	320 (12.60)	300 (11.81)	325 (12.80)	174 (6.85)	51.2 (112.88)	51.8 (114.20)
6	600	133 (5.24)	105 (4.13)	179 (7.05)	146.3 (5.76)	355 (13.98)	300 (11.81)	325 (12.80)	174 (6.85)	46.2 (101.85)	76.8 (169.31)
8	150	133 (5.24)	105 (4.13)	179 (7.05)	202.7 (7.98)	345 (13.58)	300 (11.81)	350 (13.78)	194 (7.64)	50.0 (110.23)	50.6 (111.55)
8	300	133 (5.24)	105 (4.13)	179 (7.05)	202.7 (7.98)	380 (14.96)	300 (11.81)	350 (13.78)	194 (7.64)	74.8 (164.91)	75.4 (166.23)
10	150	133 (5.24)	105 (4.13)	179 (7.05)	254.5 (10.02)	405 (15.94)	380 (14.96)	370 (14.57)	224 (8.82)	74.4 (164.02)	75.0 (165.35)
10	300	133 (5.24)	105 (4.13)	179 (7.05)	254.5 (10.02)	455 (17.91)	380 (14.96)	370 (14.57)	224 (8.82)	106.4 (234.57)	107.0 (235.89)
12	150	133 (5.24)	105 (4.13)	179 (7.05)	304.8 (12.00)	485 (19.09)	450 (17.72)	395 (15.55)	244 (9.61)	106.3 (234.35)	106.9 (235.67)
12	300	133 (5.24)	105 (4.13)	179 (7.05)	304.8 (12.00)	520 (20.47)	450 (17.72)	395 (15.55)	244 (9.61)	151.3 (333.56)	151.9 (334.88)

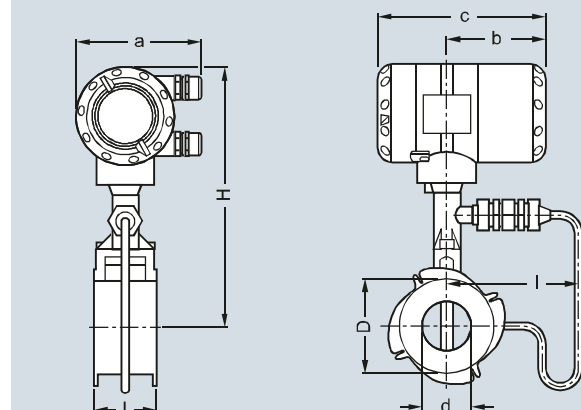
1) For dual converter: specified weight + 2.80 kg (6.17 lb).

# Flow Measurement SITRANS F X

## SITRANS FX300



Sandwich version



Sandwich version with pressure sensor

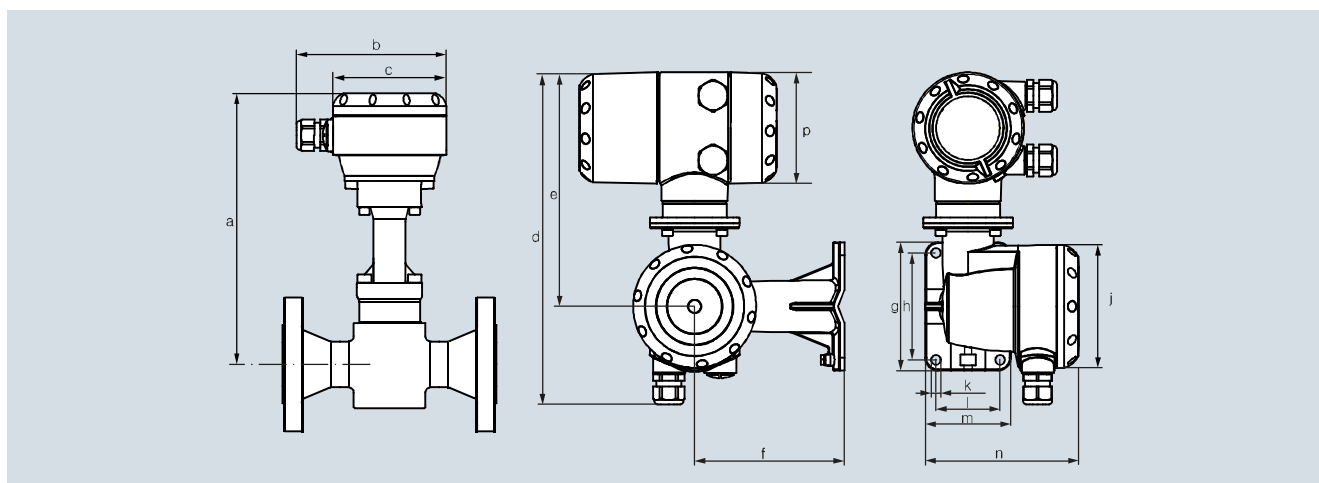
### Sandwich version EN

Size DN	Pressure rating PN	Dimensions [mm (inch)]								Weight [kg (lb)]	
		a	b	c	d	D	L	H	I	Flowmeter (without pressure sensor)	Flowmeter (with pressure sensor)
15	16 ... 100	133 (5.24)	105 (4.13)	179 (7.05)	16 (0.63)	45 (1.77)	65 (2.56)	265 (10.43)	144 (5.67)	3.5 (7.72)	4.1 (9.04)
25	16 ... 100	133 (5.24)	105 (4.13)	179 (7.05)	24 (0.94)	65 (2.56)	65 (2.56)	265 (10.43)	144 (5.67)	4.3 (9.48)	4.9 (10.80)
40	16 ... 100	133 (5.24)	105 (4.13)	179 (7.05)	38 (1.50)	82 (3.23)	65 (2.56)	270 (10.63)	144 (5.67)	4.9 (10.80)	5.5 (12.13)
50	16 ... 100	133 (5.24)	105 (4.13)	179 (7.05)	50 (1.97)	102 (4.02)	65 (2.56)	275 (10.83)	144 (5.67)	6 (13.23)	6.6 (14.55)
80	16 ... 100	133 (5.24)	105 (4.13)	179 (7.05)	74 (2.91)	135 (5.31)	65 (2.56)	290 (11.42)	155 (6.10)	8.2 (18.08)	8.8 (19.40)
100	16 ... 100	133 (5.24)	105 (4.13)	179 (7.05)	97 (3.82)	158 (6.22)	65 (2.56)	310 (12.20)	164 (6.46)	9.5 (20.94)	10.1 (22.27)

### Sandwich version ASME

Size DN	Pressure rating Class	Dimensions [inch]								Weight [lb]	
		a	b	c	d	D	L	H	I	Flowmeter (without pressure sensor)	Flowmeter (with pressure sensor)
½"	150, 300, 600	5.24	4.13	7.05	0.63	1.77	2.56	10.43	5.67	7.72	9.04
1"	150, 300, 600	5.24	4.13	7.05	0.94	2.56	2.56	10.43	5.67	9.48	10.80
1½"	150, 300, 600	5.24	4.13	7.05	1.50	3.23	2.56	10.63	5.67	10.80	12.13
2"	150, 300, 600	5.24	4.13	7.05	1.97	4.02	2.56	10.83	5.67	13.23	14.55
3"	150, 300, 600	5.24	4.13	7.05	2.91	5.31	2.56	11.42	6.10	18.08	19.40
4"	150, 300, 600	5.24	4.13	7.05	3.82	6.22	2.56	12.20	6.46	20.94	22.27

## Remote version



## Flanged version

DN	15	25	40	50	80	100	150	200	250	300			
	½"	1"	1½"	2"	3"	4"	6"	8"	10"	12"			
	<b>a</b>												
[mm]	248	248	253	258	273	293	308	333	353	378			
[inch]	9.77	9.77	9.97	10.2	10.8	11.5	12.1	13.1	13.9	14.9			
	<b>b</b>	<b>c</b>	<b>d</b>	<b>e</b>	<b>f</b>	<b>g</b>	<b>h</b>	<b>j</b>	<b>k</b>	<b>l</b>	<b>m</b>	<b>n</b>	<b>p</b>
[mm]	140	Ø106	310	219	140	120	100	Ø115	Ø9 (4x)	60	80	144	104
[inch]	5.52	Ø4.18	12.2	8.63	5.52	4.73	3.94	Ø4.53	Ø0.36 (4x)	2.36	3.15	5.67	4.09

## Sandwich version

DN	15	25	40	50	80	100							
	½"	1"	1½"	2"	3"	4"							
	<b>a</b>												
[mm]	248	248	253	258	273	293							
[inch]	9.77	9.77	9.97	10.2	10.8	11.5							
	<b>b</b>	<b>c</b>	<b>d</b>	<b>e</b>	<b>f</b>	<b>g</b>	<b>h</b>	<b>j</b>	<b>k</b>	<b>l</b>	<b>m</b>	<b>n</b>	<b>p</b>
[mm]	140	Ø106	310	219	140	120	100	Ø115	Ø9 (4x)	60	80	144	104
[inch]	5.52	Ø4.18	12.2	8.63	5.52	4.73	3.94	Ø4.53	Ø0.36 (4x)	2.36	3.15	5.67	4.09



# Flow Measurement

## SITRANS F X

### SITRANS FX300

#### Flow tables

##### Measuring Range Limits

##### Water

Size DN to EN 1092-1	DN to ASME B16.5	Q <sub>min</sub> EN 1092-1 [m <sup>3</sup> /h]	Q <sub>max</sub> EN 1092-1 [m <sup>3</sup> /h]	Q <sub>min</sub> ASME B16.5 [m <sup>3</sup> /h]	Q <sub>max</sub> ASME B16.5 [m <sup>3</sup> /h]
15	½"	0.45	5.07	0.44	4.94
25	1"	0.81	11.40	0.81	11.40
40	1½"	2.04	28.58	2.04	28.58
50	2"	3.53	49.48	3.53	49.48
80	3"	7.74	108.37	7.74	108.37
100	4"	13.30	186.22	13.30	186.21
150	6"	30.13	421.86	30.13	421.86
200	8"	56.60	792.42	56.60	792.42
250	10"	90.48	1 266.8	90.48	1 266.8
300	12"	131.41	1 839.8	131.41	1 839.8

Values based on water at 20 °C (68 °F)

##### Air

Size DN to EN 1092-1	DN to ASME B16.5	Q <sub>min</sub> EN 1092-1 [m <sup>3</sup> /h]	Q <sub>max</sub> EN 1092-1 [m <sup>3</sup> /h]	Q <sub>min</sub> ASME B16.5 [m <sup>3</sup> /h]	Q <sub>max</sub> ASME B16.5 [m <sup>3</sup> /h]
15	½"	6.80	25.33	6.72	24.70
25	1"	10.20	81.43	10.20	81.43
40	1½"	25.35	326.63	25.35	326.63
50	2"	43.89	565.49	43.89	565.49
80	3"	96.14	1 238.64	96.14	1 238.60
100	4"	165.19	2 128.27	165.19	2 128.27
150	6"	374.23	4 821.60	374.23	4 821.60
200	8"	702.95	9 056.8	702.95	9 056.8
250	10"	1 123.7	14 478.0	1 123.7	14 478.0
300	12"	1 632.1	21 028.0	1 632.1	21 028.0

Values based on air at 20 °C (68 °F) and 1.013 bar<sub>abs</sub> (14.7 psi<sub>abs</sub>)

##### Flow rate limits

Product	Nominal diameters		Minimum flow rates [m/s]	Maximum flow rates [m/s]
	to EN	to ASME		
Liquids	DN 15 ... DN 300	DN ½" ... DN 12"	$0.5 \times (998/\rho)^{0.5 \ 1)}$	$7 \times (998/\rho)^{0.47 \ 1)}$
Gas, steam/vapor	DN 15 ... DN 300	DN ½" ... DN 12"	$6 \times (1.29/\rho)^{0.5 \ 2)}$	$7 \times (998/\rho)^{0.47 \ 3)}$

$\rho$  = operating density [kg/m<sup>3</sup>]

- 1) Minimum flow rate 0.3 m/s (0.984 ft/s), maximum flow rate 7 m/s (23 ft/s)
- 2) Minimum flow rate 2 m/s (6.6 ft/s)
- 3) Maximum flow rate 80 m/s (262 ft/s); DN 15: 45 m/s (148 ft/s) and DN 25: 70 m/s (230 ft/s)

Measuring range saturated steam: 1 to 7 bar

Overpressure [bar]		1		3.5		5.2		7	
Density [kg/m <sup>3</sup> ]		1.13498		2.4258		3.27653		4.16732	
Temperature [°C]		120.6		148.2		160.4		170.6	
Flow [kg/h]		min.	max.	min.	max.	min.	max.	min.	max.
DN to EN 1092-1	DN to ASME B16.5								
15	½"	5.87	28.75	7.68	61.46	8.93	83.01	10.06	105.57
25	1"	11.82	92.42	17.28	197.53	20.09	266.81	22.66	339.35
40	1½"	29.64	370.71	43.33	792.33	50.63	1 070.2	56.8	1 361.2
50	2"	51.31	641.82	75.02	1 371.8	87.19	1 852.8	98.33	2 356.6
80	3"	112.41	1 405.8	164.33	3 004.7	191	4 058.4	215.39	5 161.8
100	4"	193.14	2 415.5	282.36	5 162.7	328.16	6 973.3	370.09	8 869.2
150	6"	437.56	5 472.4	639.69	11 696	743.45	15 798	838.44	20 093
200	8"	821.9	10 279.0	1 201.6	21 970.0	1 396.5	29 675.0	1 574.9	37 743
250	10"	1 313.9	16 433.0	1 920.9	35 122.0	2 232.5	47 439.0	2 517.7	60 337
300	12"	1 908.3	23 866.0	2 789.8	51 010.0	3 242.4	68 899.0	3 656.6	87 630

Measuring range saturated steam: 10.5 to 20 bar

Overpressure [bar]		10.5		14		17.5		20	
Density [kg/m <sup>3</sup> ]		5.88803		7.60297		9.31702		10.5442	
Temperature [°C]		186.2		198.5		208.7		215	
Flow [kg/h]		min.	max.	min.	max.	min.	max.	min.	max.
DN to EN 1092-1	DN to ASME B16.5								
15	½"	12.78	149.17	16.51	192.61	20.23	236.04	22.89	267.12
25	1"	26.93	479.46	30.6	619.11	33.87	758.69	36.04	858.62
40	1½"	67.51	1 878.2	76.72	2 150.7	84.93	2 395.3	90.35	2 557.7
50	2"	116.89	3 251.7	132.82	3 723.4	147.03	4 147	156.42	4 428.1
80	3"	256.03	7 122.4	290.93	8 155.8	322.06	9 083.7	342.62	9 699.3
100	4"	439.91	12 238	499.9	14 013	553.38	15 608	588.69	16 666
150	6"	996.62	27 725	1 132.5	31 747	1 253.7	35 359	1 333.7	37 756
200	8"	1 872.1	52 079	2 127.3	59 634	2 354.9	66 419	2 505.2	70 921
250	10"	2 992.7	83 254	3 400.7	95 333	3 764.6	106 180	4 004.9	113 380
300	12"	4 346.5	120 920	4 939.1	138 460	5 467.5	154 210	5 816.5	164 660

# Flow Measurement

## SITRANS F X

### SITRANS FX300

Measuring range saturated steam: 15 to 100 psig

Overpressure [psig]		15		50		75		100	
Density [lb/ft <sup>3</sup> ]		0.0719		0.1497		0.2036		0.2569	
Temperature [°F]		249.98		297.86		320.36		338.184	
Flow [lb/h]		min.	max.	min.	max.	min.	max.	min.	max.
DN to EN 1092-1	DN to ASME B16.5								
15	½"	12.95	64.35	16.83	133.87	19.62	182.02	22.04	229.63
25	1"	26.25	206.83	37.86	430.3	44.15	585.06	49.59	738.09
40	1½"	65.81	829.61	94.92	1 726	110.68	2 346.7	124.32	2 960.5
50	2"	113.94	1 436.3	164.34	2 988	191.63	4 062.9	215.23	5 125.6
80	3"	249.57	3 146.1	360	6 545.3	419.74	8 899.4	471.45	11 227
100	4"	428.81	5 405.7	618.51	11 246	721.21	15 291	810.06	19 291
150	6"	971.47	12 246	1 401.2	25 478	1 633.9	34 642	1 835.2	43 703
200	8"	1 824.8	23 004	2 632.1	47 859	3 069.1	65 072	3 447.2	82 092
250	10"	2 917.2	36 774	4 207.7	76 508	4 906.4	104 030	5 510.8	131 230
300	12"	4 236.8	53 410	6 111.1	111 120	7 125.8	151 080	8 003.6	190 600

Measuring range saturated steam: 150 to 300 psig

Overpressure [psig]		150		200		250		300	
Density [lb/ft <sup>3</sup> ]		0.3627		0.4681		0.5735		0.6792	
Temperature [°F]		366.08		388.04		406.22		422.06	
Flow [lb/h]		min.	max.	min.	max.	min.	max.	min.	max.
DN to EN 1092-1	DN to ASME B16.5								
15	½"	27.79	324.21	35.86	418.47	43.94	512.66	52.04	607.12
25	1"	58.93	1 042.1	66.94	1 345.1	74.1	1 647.8	80.63	1 951.5
40	1½"	147.72	4 107.2	167.83	4 702.8	185.76	5 237	202.15	5 728
50	2"	255.75	7 111.9	290.56	8 141.9	321.6	9 066.8	350	9 917
80	3"	560.19	15 578	636.44	17 834	704.43	19 860	766.6	21 722
100	4"	962.54	26 766	1 093.5	30 643	1 210.4	34 124	1 317.2	37 324
150	6"	2 180.6	60 639	2 477.4	69 421	2 742.1	77 307	2 984	84 556
200	8"	4 096.1	113 900	4 653.6	130 400	5 150.7	145 210	5 605.2	158 830
250	10"	6 548.1	182 090	7 439.3	208 460	8 234.1	232 140	8 960.6	253 910
300	12"	9 510.2	264 460	10 805	302 760	11 959	337 150	13 014	368 770